

KSWITCH D2 UF SERIES



Kontron Fast Ethernet KSwitch D2 UF Series

- ▶ Up to 8-port DIN-Rail Industrial Ethernet Switch
- ▶ Fast Ethernet, unmanaged Layer 2, copper ports
- ▶ Wide range, dual input DC power supply
- ▶ Cost effective and modular
- ▶ Industrial grade, highly reliable, long-term available

POSSIBILITIES START HERE

KSWITCH D2 UF SWITCH SERIES

The Kontron KSwitch D2 UF series offers cost-effective unmanaged Industrial Ethernet Switches with up to 8 Fast Ethernet ports providing easy to use plug-n-play connectivity. The Kontron KSwitch D2 UF series can easily be integrated in factory production

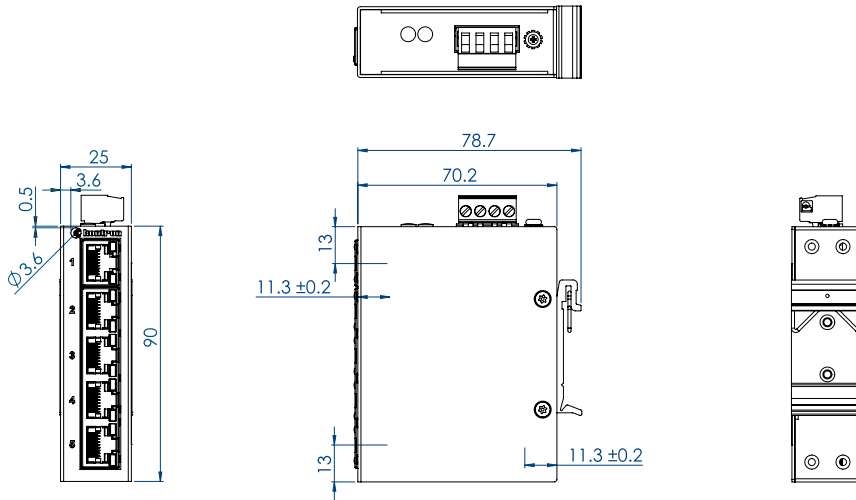
lines, embedded into a machine control system or applied for any simple network expansion. It is the perfect solution for general applications and edge-site installation.

► TECHNICAL INFORMATION

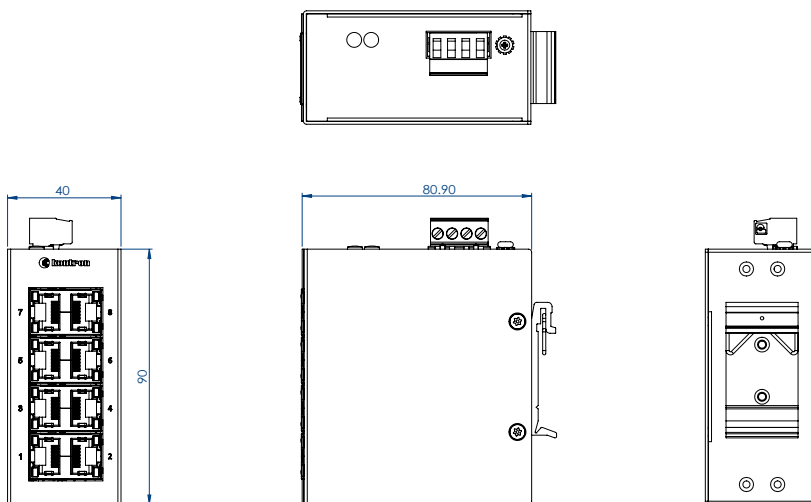
		KSWITCH D2 UF 5-PORT	KSWITCH D2 UF 8-PORT
NETWORK	OPERATING MODE MAC ADDRESSES PACKET BUFFER BACKPLANE / SWITCHING FABRIC	Store and forward, L2 wire-speed/non-blocking switching engine 1K 1 Mbits 5-port: Up to 1 Gbps	8-port: Up to 1.6 Gbps
RJ45 COPPER PORTS	SPEED MDI/MDIX AUTO-CROSSOVER AUTO-NEGOTIATION/DUPLEX ETHERNET PORT PROTECTION	10/100 Mbps Support straight or cross wired cables 10/100 Mbps speed auto-negotiation, full and half duplex 1.0 KV VRMS 1 minute (Hipot), 1KV surge immunity on RJ45 copper ports	
PROTOCOL & STANDARDS		IEEE 802.3, IEEE 802.3x, flow control, back pressure, TCP/UDP	
POWER	POWER INPUT INPUT VOLTAGE RANGE REVERSE POWER PROTECTION POWER CONSUMPTION	Redundant power input, DC terminal block 12-58 V DC yes 3.0 W	3.5 W
INDICATORS	STATUS INDICATION PORT INDICATION	Power input status Link & speed	
ENVIRONMENTAL & COMPLIANCE	OPERATING TEMPERATURE STORAGE TEMPERATURE HUMIDITY EMC SAFETY RoHS & WEEE MTBF	-40 °C - 75 °C (cold startup at -40 °C) -40 °C - 85 °C 5 - 95 % (non-condensing) EN 61000-6-3 Class B; EN 61000-6-4; EN 61000-6-2; EN 55035 UL/ IEC/ EN 62368-1 RoHS (Pb free), REACH and WEEE compliant > 200000 hours	
MECHANICAL	PROTECTION DIMENSION (HxWxD) WEIGHT INSTALLATION	IP30 90x25x70.2 mm 250 g DIN-Rail mounting	90x40x80.9 mm 265 g

► MECHANICAL DRAWING

5-port:



8-port:



▶ ORDERING INFORMATION

ARTICLE	PART NO.	DESCRIPTION	10/100T(X)
KSWITCH D2UF 5F	1067-5248	Industrial 5-port Unmanaged Ethernet Switch, -40 °C to 75 °C of operating temperature, Dual DC power input	5
KSWITCH D2UF 8F	1067-5247	Industrial 8-port Unmanaged Ethernet Switch, -40 °C to 75 °C of operating temperature, Dual DC power input	8
PACKAGE CONTENTS		KSwitch D2 UF Switch, terminal block, DIN-Rail mounting kit, safety instruction sheet	
ACCESSORIES			
RK2U, RK4U		19" Rack Mount Kit 4U & 2U	
230 V AC TO DC POWER ADAPTER			
WK25		Wall Mount Kit	

▶ GLOBAL HEADQUARTERS

Kontron Europe GmbH

Gutenbergstraße 2
85737 Ismaning, Germany
Tel.: +49 821 4086-0
Fax: +49 821 4086-111
info@kontron.com

www.kontron.com