

KSWITCH R3 UMP PoE SERIES



Kontron Gigabit Ethernet KSwitch R3 UMP PoE Series

- ▶ Up to 26-port Rackmount Industrial Ethernet Switch
- ▶ IEEE 802.3af/at PoE support
- ▶ Fast & Gigabit Ethernet, unmanaged Layer 2, copper & fiber ports
- ▶ Industrial grade, highly reliable, long-term available

POSSIBILITIES START HERE



KSWITCH R3 UMP SWITCH SERIES

The KSwitch R3 UMP series offers cost-effective unmanaged Industrial Ethernet Switches with up to 26 Fast Ethernet ports and up to 2 Gigabit TX or FX ports. Up to 24 PoE meet the IEEE 802.3af/at standard with up to 30 Watts power output. The KSwitch R3

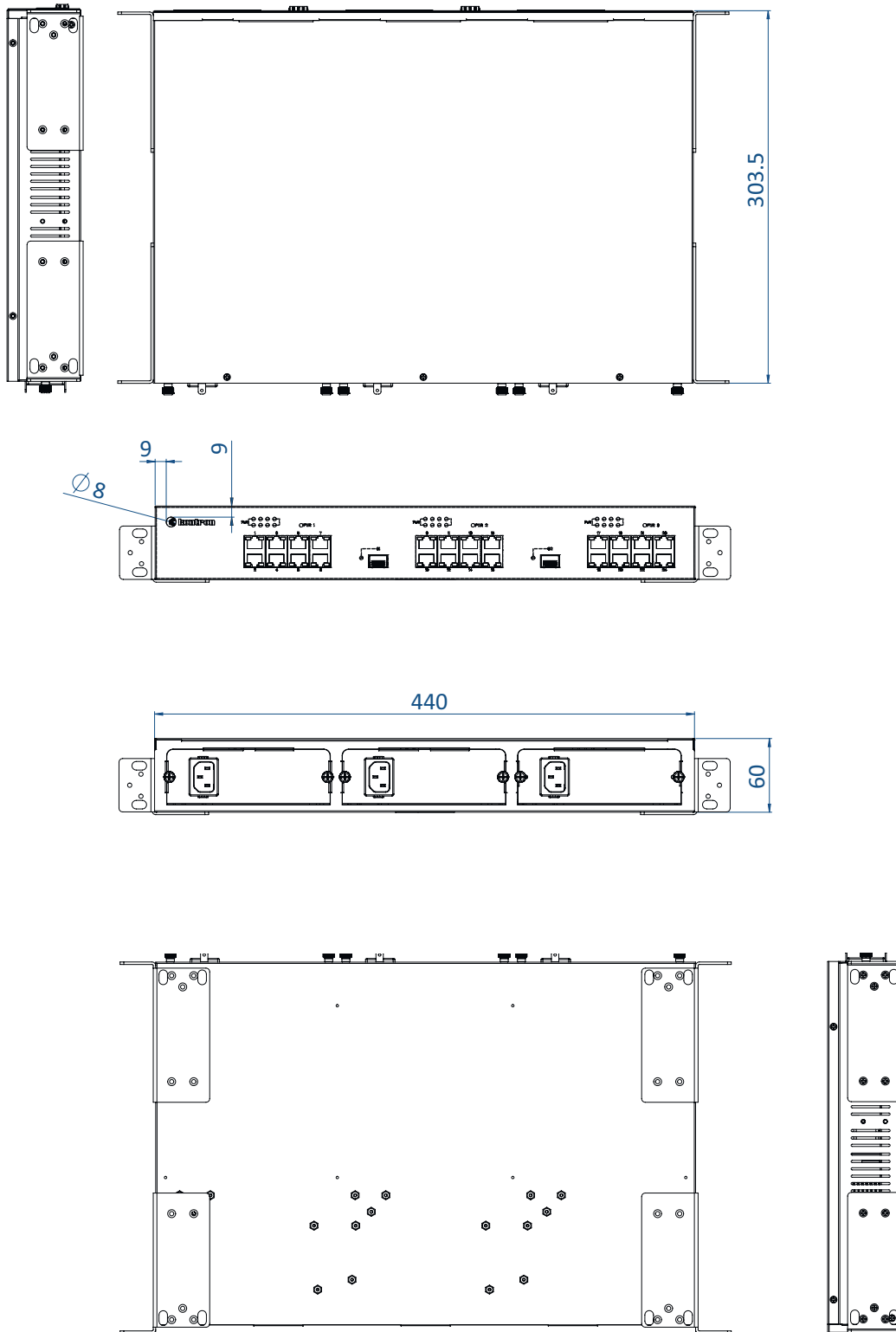
UMP series can easily be used in factory production lines, embedded into machine systems or applied for any simple network expansion. The KSwitch R3 UMP series is the perfect solution for all applications where PoE support is required.

► TECHNICAL INFORMATION

		KSWITCH R3 UMP 10-PORT	KSWITCH R3 UMP 18-PORT	KSWITCH R3 UMP 26-PORT
NETWORK	OPERATING MODE DEVICES SUPPORTED MAC ADDRESSES PACKET BUFFER BACKPLANE / SWITCHING FABRIC	Store and forward, L2 wire-speed/non-blocking switching engine All IEEE 802.3 compliant devices are supported 16K 4 Mbits Up to 8.8 Gbps		
RJ45 COPPER PORTS	SPEED MDI/MDIX AUTO-CROSSOVER AUTO-NEGOTIATION/DUPLEX ETHERNET PORT PROTECTION PoE CABLE REQUIREMENTS CABLE LENGTH	Up to 24 10/100 Mbps plus 2 10/100/1000 Mbps Support straight or cross wired cables 10/100/1000 Mbps speed auto-negotiation, full and half duplex 1.5 KV VRMS 1 minute (Hipot), 2KV surge immunity on RJ45 copper ports IEEE 802.3af/at (15.4/30 W), PoE/PoE+ Cat5e or better 100 meters (max.)		
FIBER PORTS	PORT TYPES SUPPORTED FILTER PORT CONNECTOR OPTIMAL FIBER CABLE	Up to 2 1000 Base SFP slot LC/RJ45 connector for fiber ports Typical 50 or 62.5/125 µm for multimode (mm) Typical 8 or 9/125 µm for single mode (sm)		
PROTOCOL & STANDARDS		IEEE 802.3, IEEE 802.3x, flow control, back pressure, TCP/UDP, IEEE 802.3af/at		
POWER	POWER INPUT INPUT VOLTAGE RANGE POWER CONSUMPTION POWER BUDGET	AC/DC input, IEC connector 100/240 V AC, 50 Hz ~ 60 Hz 10 W (without PD load) Switch plus PDs= 730 W max.		
INDICATORS	PoE PWR 1 TO N 10/100 Mbps PORT LINK/ACT G1, G2 GbE PORT LINK/ACT G1, G2 GbE PORT SPEED SFP 1 TO N PORT (N=0,1,2) LINK/ACT	On, Green: Port is linked to Power Device Off: No Power Device is connected On Green: Power line has power Off: Power line disconnect or does not have supply power On, Yellow: Ethernet link up, but no traffic is detected Flashing Yellow: Ethernet link up and there is traffic detected Off: Ethernet link down On, Yellow: Ethernet link up, but no traffic is detected Flashing Yellow: Ethernet link up and there is traffic detected Off: Ethernet link down On, Yellow: A 1000 Mbps connection is detected Off: No link, or a 10 Mbps or 100 Mbps connection is detected On, Green: SFP port speed 1000 Mbps connection is detected Off: No link		
ENVIRONMENTAL & COMPLIANCE	OPERATING TEMPERATURE STORAGE TEMPERATURE HUMIDITY ENVIRONMENTAL AIR EMC SAFETY RoHS & WEEE MTBF	-40 °C - 75 °C (cold startup at -40 °C) -40 °C - +85 °C 5 - 95 % RH (non-condensing) No corrosive gases permitted EN 61000-6-3 Class B, EN 61000-6-4, EN 61000-6-2, EN 55035 UL/ IEC/ EN 62368-1 RoHS (Pb free), REACH and WEEE compliant > 200,000 hrs		
MECHANICAL	PROTECTION DIMENSION (HxWxD) WEIGHT INSTALLATION	IP30, metal case 60x154x323 mm 2,5 kg Rack mounting	60x440x303 mm 5.5 kg	60x440x303.5 mm 5.95 kg

► MECHANICAL DRAWING

26-port



▶ ORDERING INFORMATION

ARTICLE	PART NO.	DESCRIPTION	10/100 T(X)	10/100/1000 T(X)	1000 FX SFP
STANDARD CONFIGURATIONS					
KSWITCH R3UMP 24FP30-2GS-AC3	1067-5249	Industrial 26-port IEEE802.3af/at Power-over-Ethernet Unmanaged Ethernet Switch, 24PoE/PoE+ output, -40 °C to 75 °C of operating temperature, 3x AC power module, 750 W budget	24 (24 PoE)	0	2
ON REQUEST					
KSWITCH R3UMP 24FP30-2G-AC3*		Industrial 26-port IEEE802.3af/at Power-over-Ethernet Unmanaged Ethernet Switch, 24PoE/PoE+ output, -40 °C to 75 °C of operating temperature, 3x AC power module, 750 W budget	24 (24 PoE)	2	0
KSWITCH R3UMP 16FP30-2GS-AC2*		Industrial 18-port IEEE802.3af/at Power-over-Ethernet Unmanaged Ethernet Switch, 24PoE/PoE+ output, -40 °C to 75 °C of operating temperature, 3x AC power module, 750 W budget	16 (16 PoE)	0	2
KSWITCH R3UMP 16FP30-2G-AC2*		Industrial 18-port IEEE802.3af/at Power-over-Ethernet Unmanaged Ethernet Switch, 24PoE/PoE+ output, -40 °C to 75 °C of operating temperature, 3x AC power module, 750 W budget	16 (16 PoE)	2	0
KSWITCH R3UMP 8FP30-2GS-AC*		Industrial 10-port IEEE802.3af/at Power-over-Ethernet Unmanaged Ethernet Switch, 24PoE/PoE+ output, -40 °C to 75 °C of operating temperature, 3x AC power module, 750 W budget	8 (8 PoE)	0	2
KSWITCH R3UMP 8FP30-2G-AC		Industrial 10-port IEEE802.3af/at Power-over-Ethernet Unmanaged Ethernet Switch, 24PoE/PoE+ output, -40 °C to 75 °C of operating temperature, 3x AC power module, 750 W budget	8 (8 PoE)	2	0
PACKAGE CONTENTS		KSwitch R3 UMP Switch, terminal block, rack mount kit, safety instruction sheet			
ACCESSORIES					
SFP MODULES					

*) on project request, typically : 10 – 12 weeks lead time

▶ GLOBAL HEADQUARTERS

Kontron Europe GmbH

Gutenbergstraße 2
85737 Ismaning, Germany
Tel.: +49 821 4086-0
Fax: +49 821 4086-111
info@kontron.com

www.kontron.com