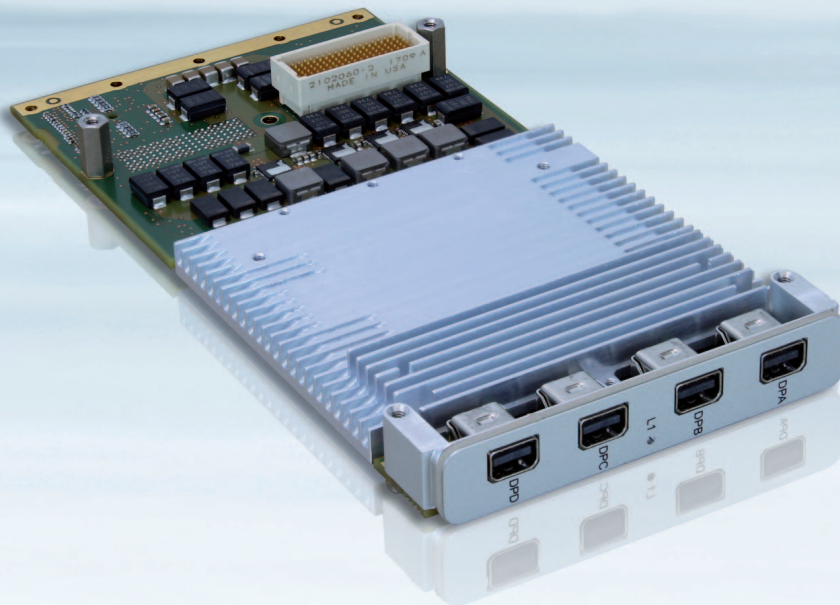


XMC-GPU91



MULTI-HEAD GRAPHICS & GPGPU MEZZANINE CARD

Designed for High Performance Multi-Head Display & Co-Processing

- ▶ AMD Embedded Radeon™ E9171 Power-Efficient GPU
- ▶ 4 GB GDDR5 128-bit width memory
- ▶ 4x DP++ DisplayPorts 1.4 front or rear P6 connectors
- ▶ 1.25 GFlops / 40 W Class processing with OpenCL™ 2.0 support
- ▶ 8x PCIe XMC VITA 42 and XMC 2.0 VITA 61 build options
- ▶ Long Term Availability and Support

POSSIBILITIES START HERE



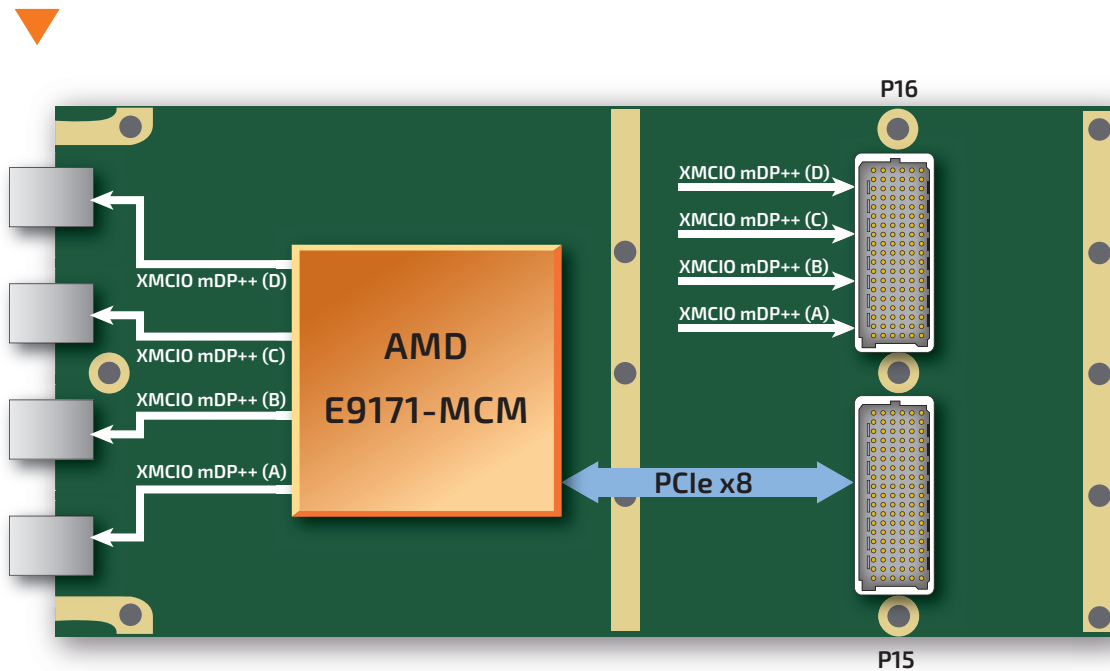
XMC-GPU91 MULTI-HEAD GRAPHICS & GPGPU MEZZANINE CARD

The XMC-GPU91 is a new generation versatile GPGPU XMC Mezzanine Card which features the latest AMD Embedded Radeon™ E9171 Power-Efficient GPU. Available in legacy 10 mm stack VITA 42 XMC compliant, the XMC-GPU91 can be used on a 0.8" VME or CompactPCI carrier as a high performance multi-head display controller. The support of the PCI-Express 3.0 and the 12 mm height stacking of the VITA 61 XMC 2.0 compliant built of the XMC-GPU91 leverages an Intel Xeon-D Single Board Computer in an efficient CPU-GPGPU processing blade.

▶ TECHNICAL INFORMATION

GPU	AMD Embedded Radeon™ E9171 AMD 7-y GPU Availability 14nm FinFET "Polaris" architecture Eight Compute Units; 1.2 TFLOPS Class
GRAPHICS MEMORY	4 GB GDDR5 SDRAM
OUTPUT BUILD OPTIONS	XMC I/O output to P16 Front I/O miniDP
GPU DIGITAL OUTPUTS	4 channels, DP++ DisplayPort1.4 Single-link HDMI and DVI support using DisplayPort cabling
FORM FACTOR	XMC (VITA 42) 10 mm stack XMC 2.0 (VITA 61) 12 mm stack

XMC-GPU91 BLOCK DIAGRAM



▶ CORPORATE OFFICES

FRANCE

150 rue Marcelin Berthelot
ZI de Toulon-Est - BP 244
83078 TOULON CEDEX 9
Tel.: + 33 4 98 16 34 00
Fax: + 33 4 98 16 34 01
sales.KFR@kontron.com

GLOBAL HEADQUARTERS

Lise-Meitner-Str. 3-5
86156 Augsburg
Germany
Tel.: + 49 821 4086 0
Fax: + 49 821 4086 111
info@kontron.com

NORTH AMERICA

9477 Waples Street, Suite 150
San Diego, CA 92121
USA
Tel.: + 1 888 294 4558
Fax: + 1 858 677 0898
info@us.kontron.com

ASIA PACIFIC

1-2F, 10 Building, N° 8 Liangshuihe 2nd Str.,
Economical & Technol. Development Zone,
Beijing, 100176, P.R.China
Tel.: +86 10 63751188
Fax: +86 10 83682438
info@kontron.cn